



Click object to rotate

Pro

Twin Full-Band Circular 40mm LNB

IDLB-TWNR41-FBAND-OPP

Item: 3219



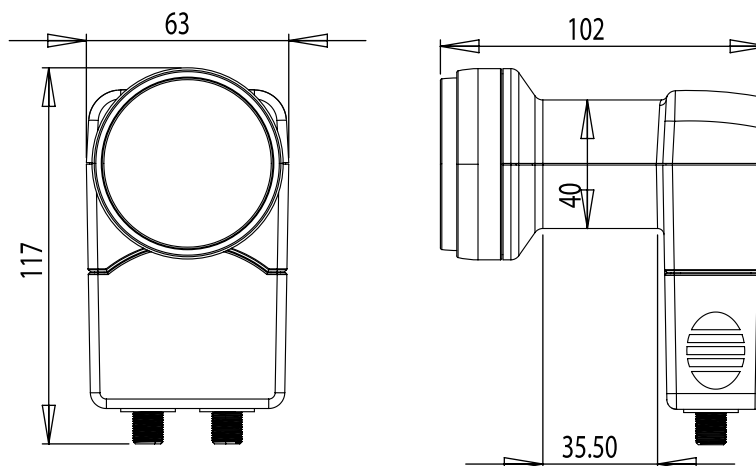
Specifically designed for the European DTH markets, this LNB provides optimized reception capabilities for receiving circular polarized signal on the high band and enables the reception of signal from one satellite and its distribution to up-to two single tuner Set-top box (or 1 in the case of a twin-tuner STB). It fully supports High Definition transmissions and provides excellent Noise Figure, Cross-pole and Phase noise performances. Manufactured to the highest industry quality standards and designed to meet strict specifications, this LNB is an ideal solution for the satellite broadcast reception across Europe.

Main Features:

- Low phase Noise HDTV-DVBS2 compliant
- Low Noise figure
- Low Power consumption
- High Cross-Pole performance
- High Frequency stability

Technical data

Low Band Input Frequency Range	10.7 ~ 11.7 GHz
Low Band Output Frequency Range	950 ~ 1,950 MHz
Low Band LO Frequency	9.75 GHz
High Band Input Frequency Range	11.7 ~ 12.75 GHz
High Band Output Frequency Range	1,100 ~ 2,150 MHz
High Band LO Frequency	10.60 GHz
LO Initial Accuracy	+/- 1.0 MHz Max.
LO Temperature Drift	+/- 3.0 MHz Max.
Phase Noise (@ 10 kHz)	- 80 dBc / Hz Max.
Noise Figure	0.3 dB Typ. (0.7 dB Max.)
Conversion Gain	55 dB Min.
Gain Ripple (Over 26 MHz Bandwidth)	+/- 0.75 dB
Gain Variation (Over Full Band)	+/- 4 dB Max.
Image Rejection	40 dB Min.
1 dB Compression Point (@ Output)	0.0 dBm Min.
Cross Polarization Isolation	20 dB Min.
Polarization Selection (Right Hand)	10.0 ~ 14.0 V
Polarization Selection (Left Hand)	16.0 ~ 20.0 V
Control Signal Cc (Band Switching)	22 +/- 4 kHz
Output VSWR	2.5 : 1
In-Band Spurious	- 55 dBm Max.
Current Consumption	170 mA Max. @ 11 ~ 20 V
Operating Temperature	- 35 °C ~ + 60 °C
Output Impedance	75 Ω
Output Connector	F-Type (Female)
Weight	195 g



For purpose of brevity, some product descriptions in this sheet remain at platform level and may not be referred to as detailed datasheets of the products. Inverto Digital Labs reserves the right to amend, omit or add products, product-lines, and / or features without notice.

For further details contact: sales@inverto.tv

FTA Communication Technologies S.a.r.l. Tel. +352 264 367 1 Fax. +352 264 313 68

